



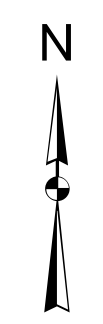
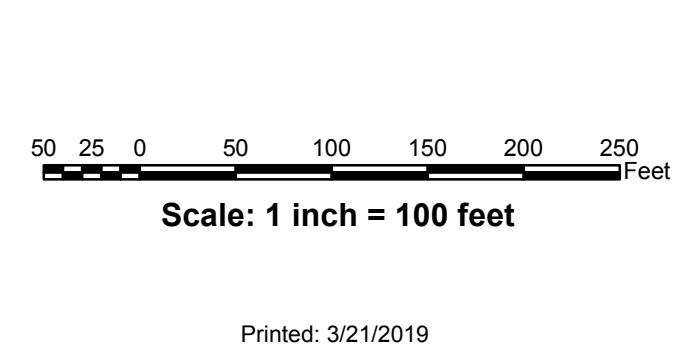
NOTICE
 This map is for assessment purposes only, and is not valid for legal description or conveyance.

The Horizontal Datum is the Maine State Plane Coordinate System, East Zone, NAD83 Feet.

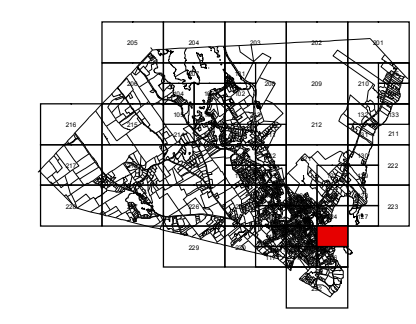
Original data produced in 1996 by Cartographics Associates, Inc.
 Photography Date: April 15, 1994

LEGEND

Area Surveyed..... Ac	Exempt Property..... (E)
Area Calculated..... AcC	Subdivision Lot No..... (11)
Record Dimension..... 100'	Building..... (shaded)
Scaled Dimension..... 100'S	Right of Way..... (dashed)
Match Line..... (dashed)	Deed Line..... (dotted)
Water..... (blue)	Wetlands..... (dotted)



4	121	123	128	22
5	120	124	127	
6	119	125		
7	118	126		



TOWN OF
CAMDEN
 MAINE

MAP
125

SEE INSET ON MAP 126